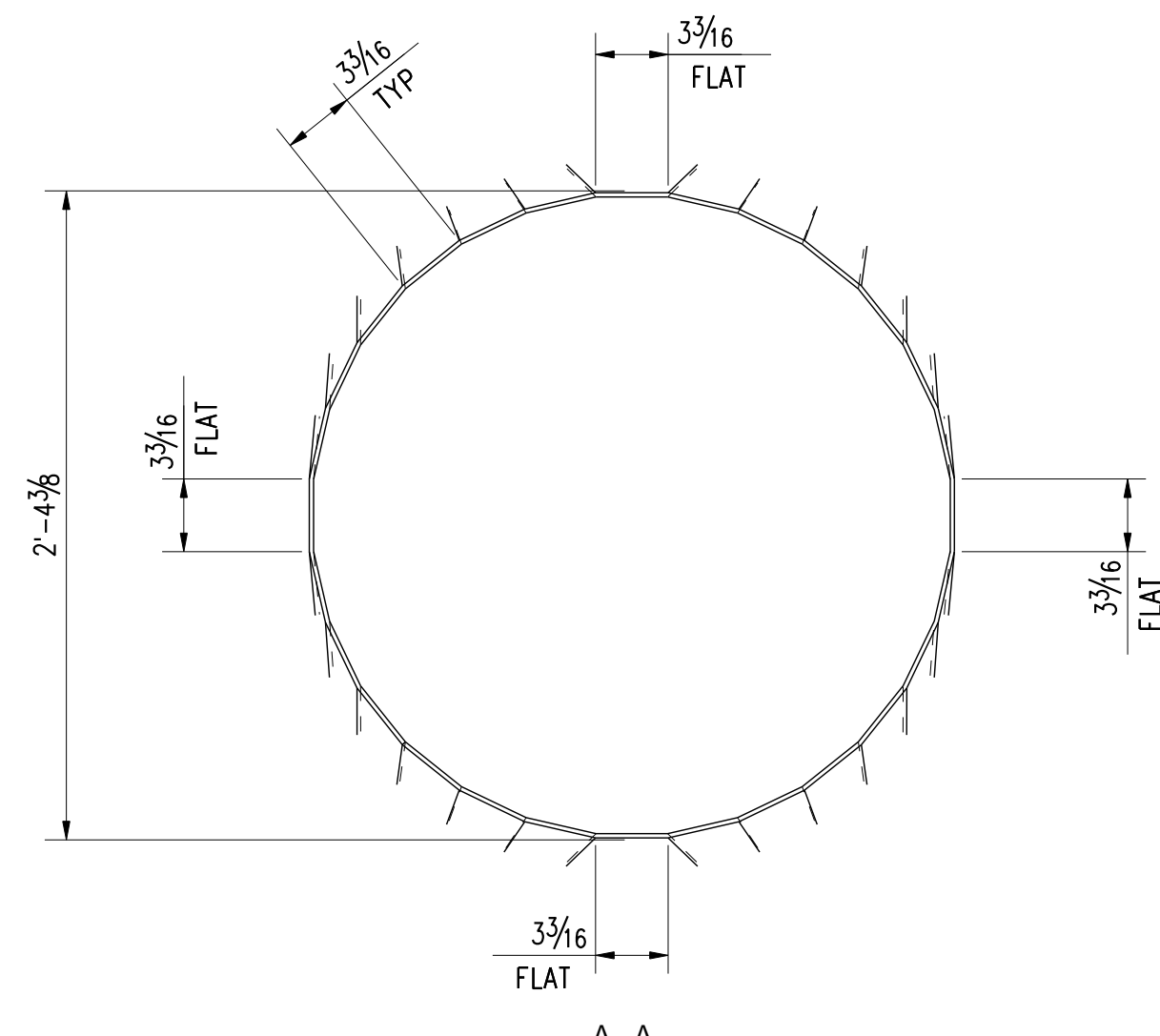
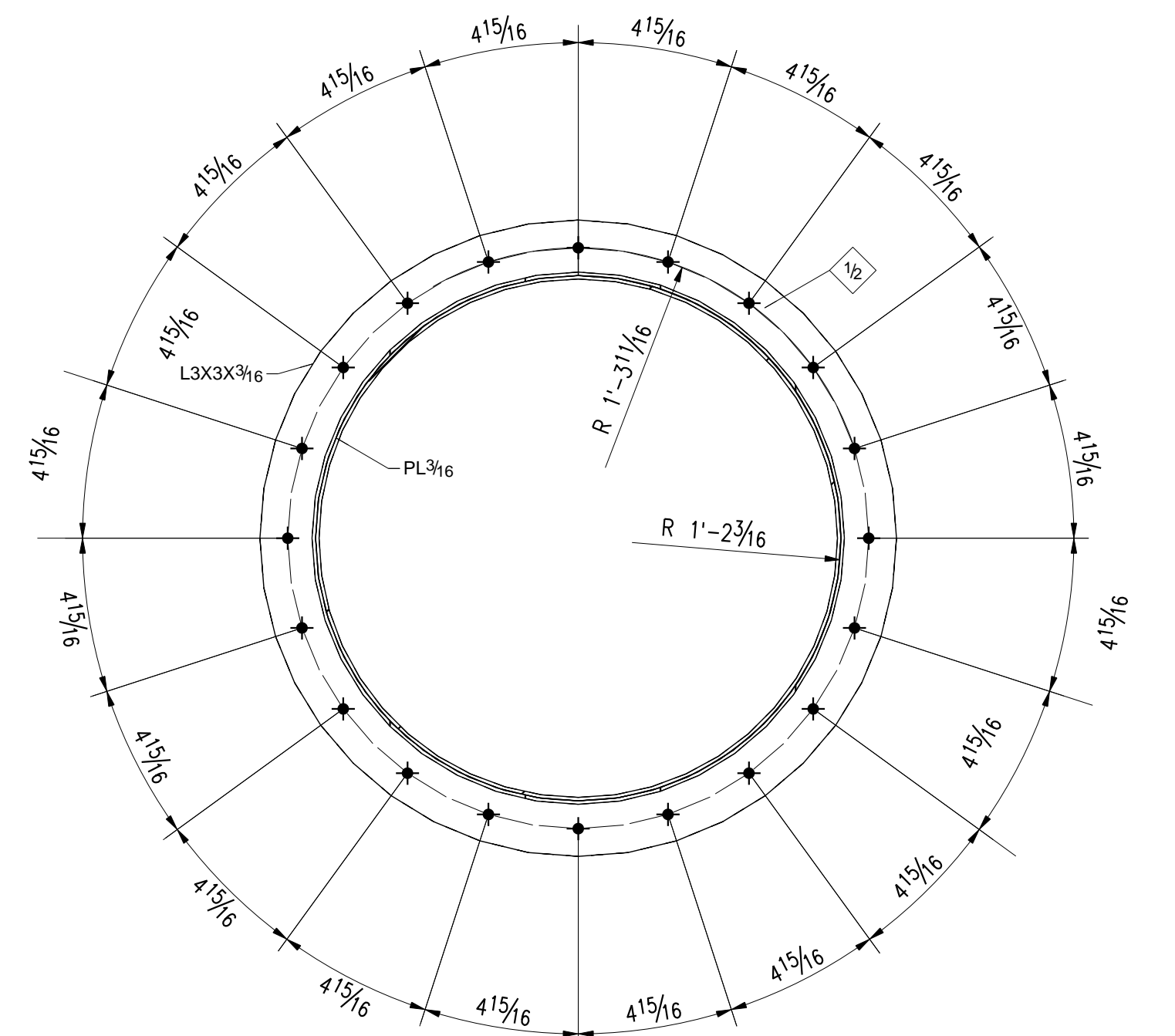


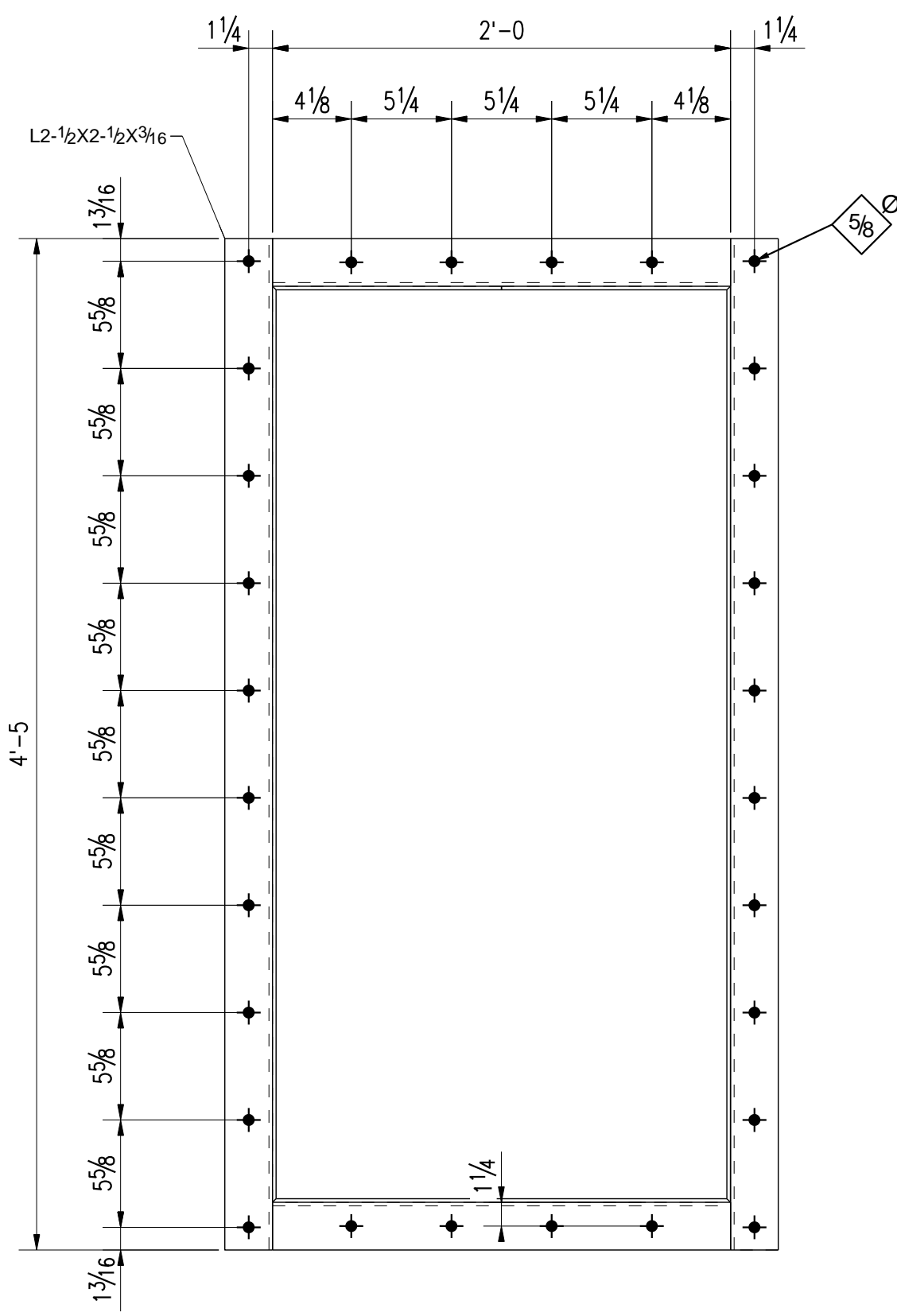
TOP VIEW



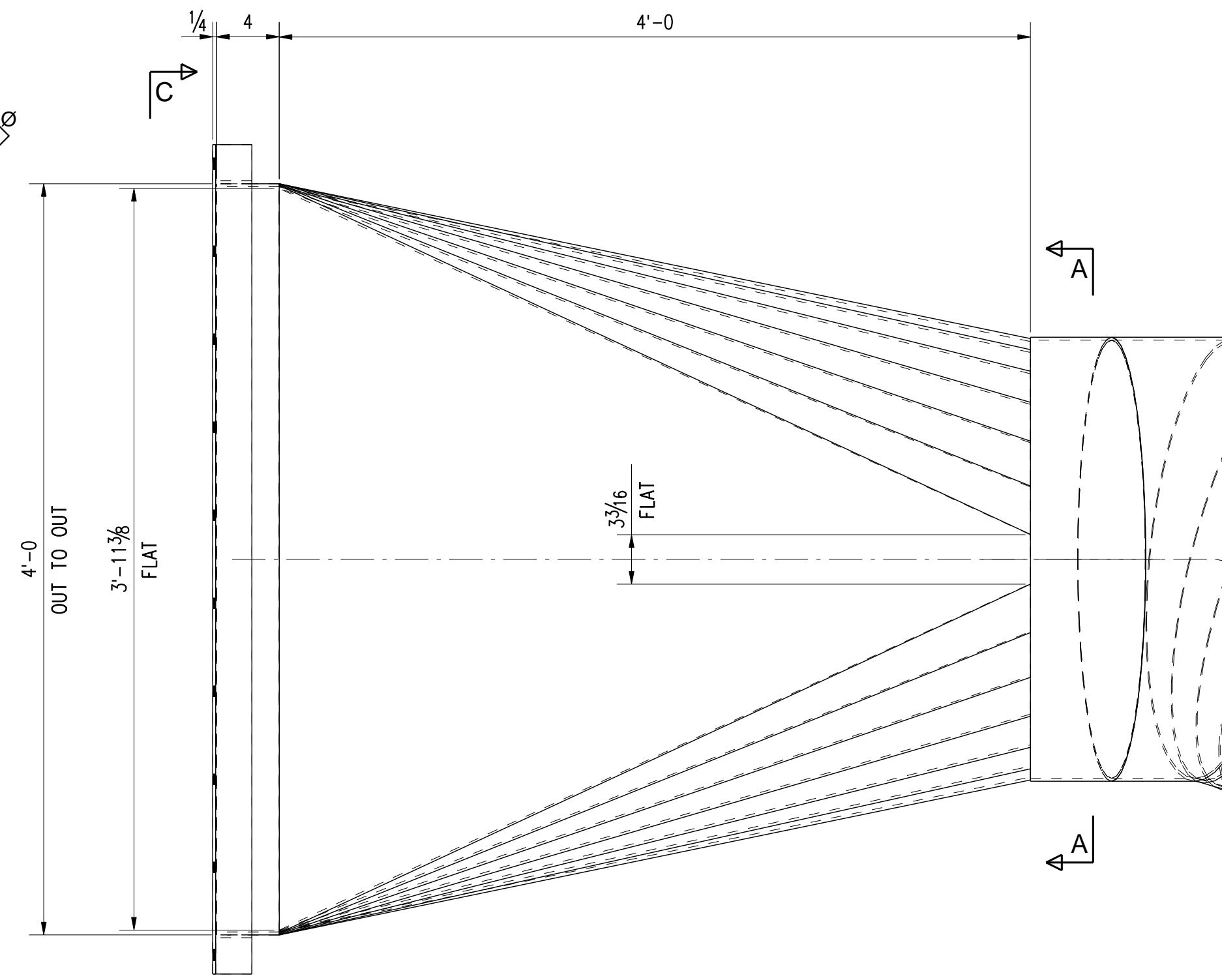
A - A



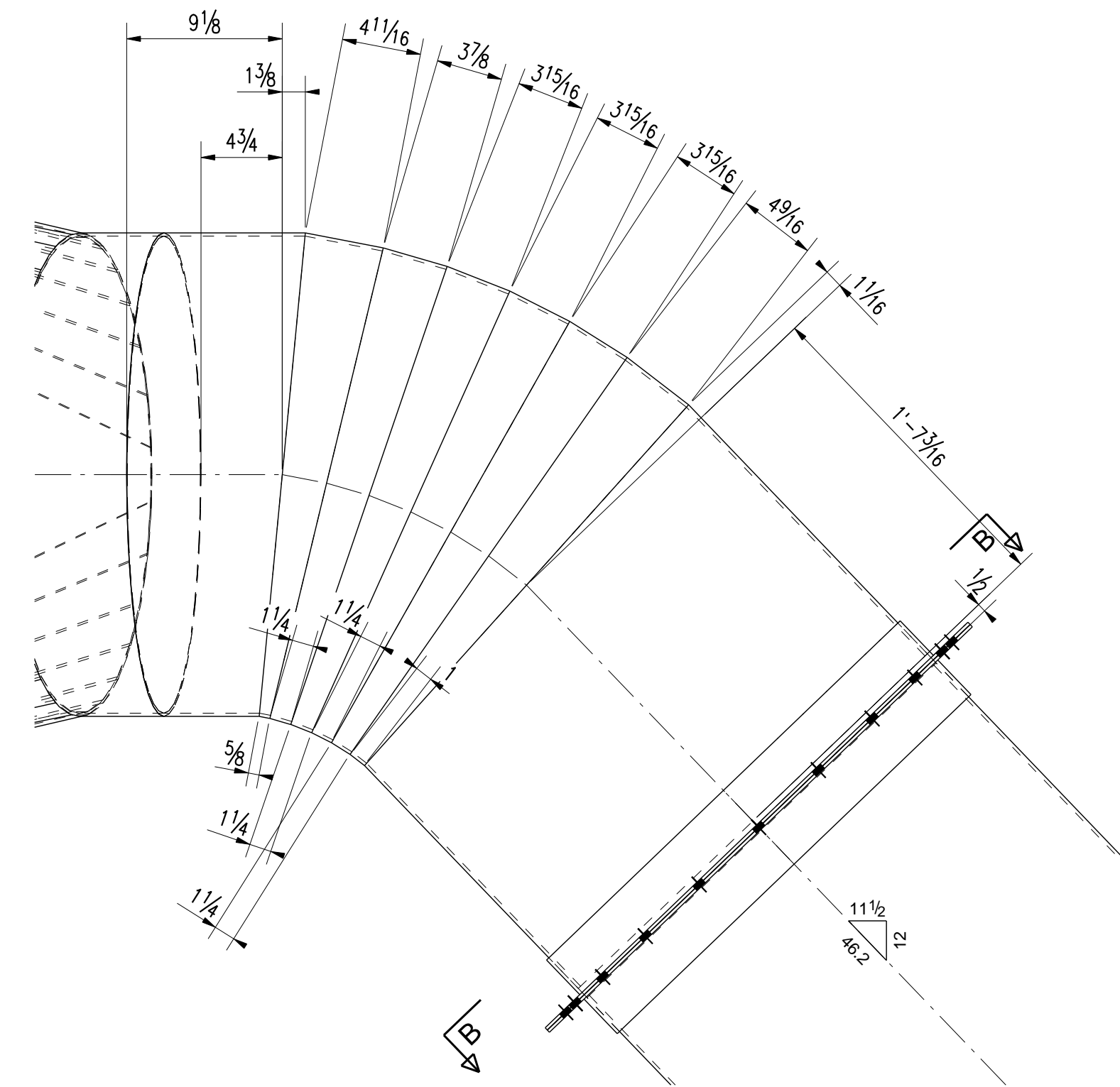
B - B



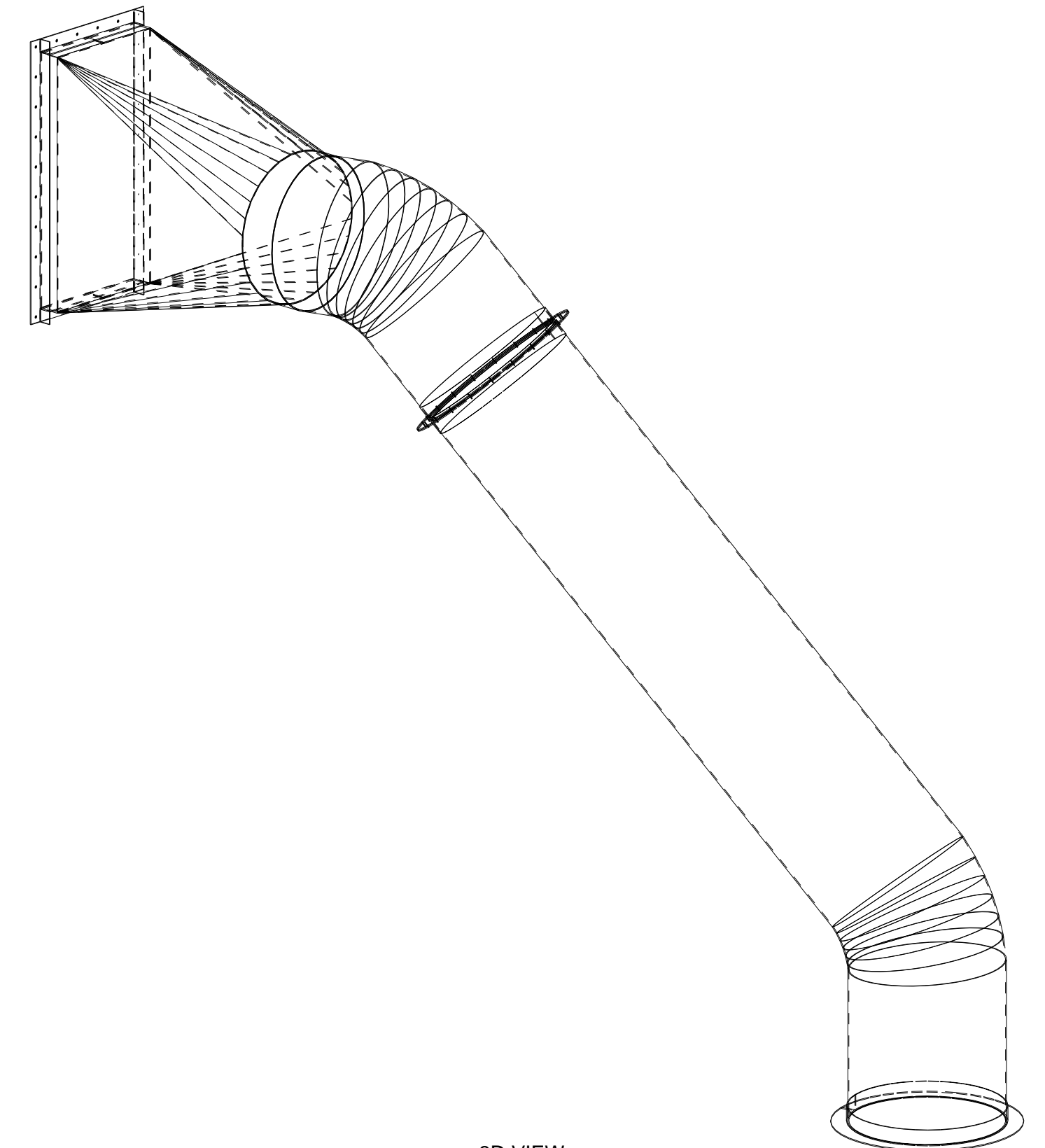
C - C



ELEVATION VIEW  
SQUARE TO TRANSITION



ELEVATION VIEW  
SQUARE TO PIPE



3D VIEW

REV	DESCRIPTION	DATE
<b>STATELINE METALS</b> 64 IMPERIAL DR. #A EVANSTON, WY		
DESCRIPTION		DUCT VIEWS
PROJECT NAME		SPIRIT MINERALS DUCT
DRAWN BY		3D STEEL DETAILERS
DATE DRAWN	06/18/2010	
		JOB No.
		DRG No.
		E1